

The PCE logo is located in the top right corner, consisting of the letters 'PCE' in a white, bold, sans-serif font on a red rectangular background.

PCE

The background of the advertisement is a close-up photograph of a red and white blow dryer. The dryer is positioned diagonally, with its nozzle pointing towards the bottom right. The entire scene is set in a snowy environment, with snow piled up around the base of the dryer. The lighting is bright, creating a high-contrast, slightly overexposed effect in the snow.

POWER
TWIST

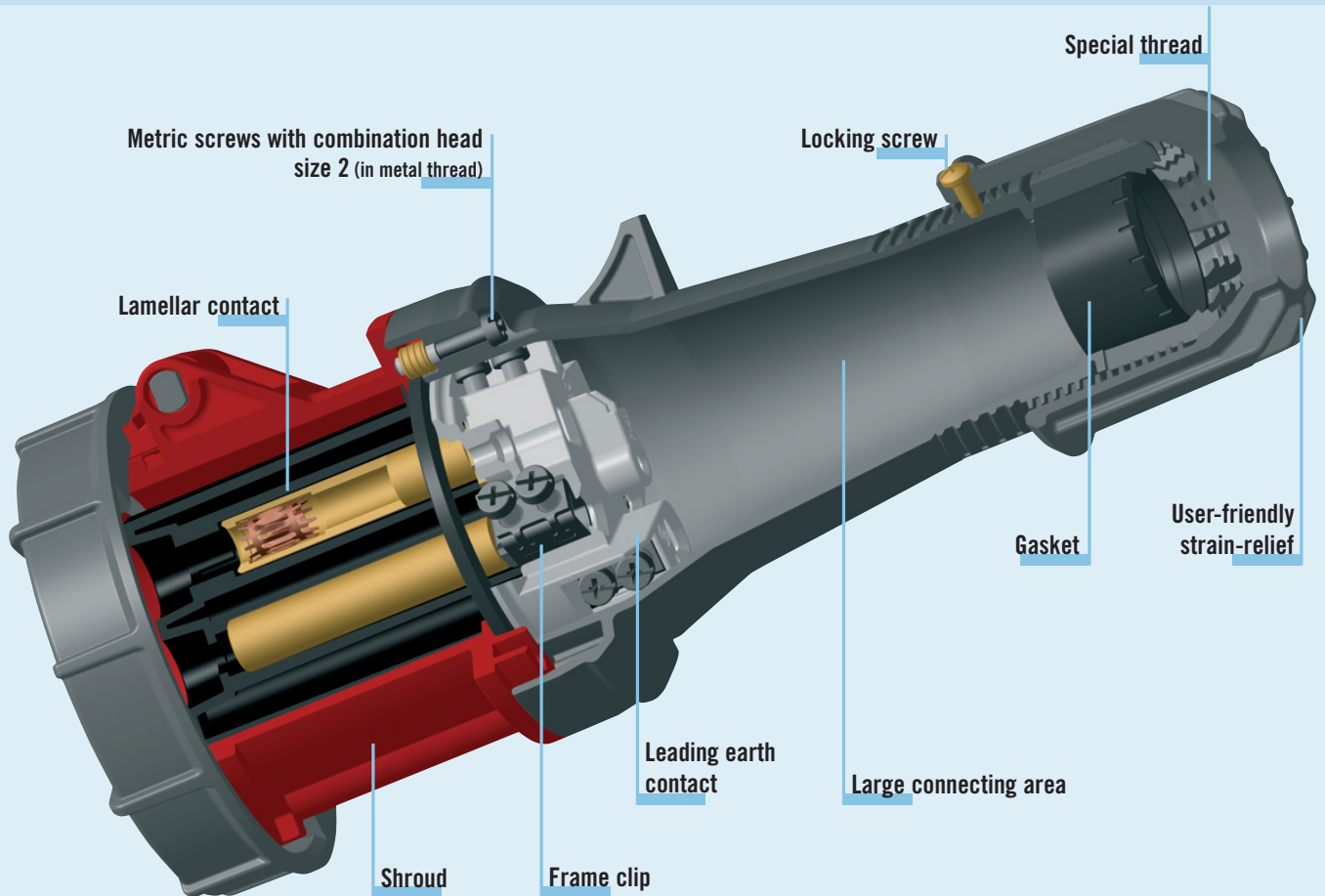
63A/125A

PC ELECTRIC Ges.m.b.H.

A-4973 St. Martin/Innkreis, Diessseits 145, Tel. +43 / 7751 / 61220, Fax +43 / 7751 / 6969, www.pcelectric.at, office@pcelectric.at

POWER TWIST

63A/125A



Safety

High impact strength

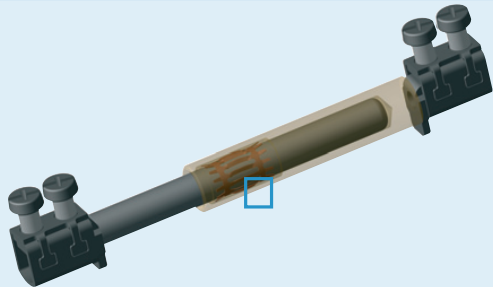
Perfect grip

Large connection area

Saves time

A contact

for rough environment

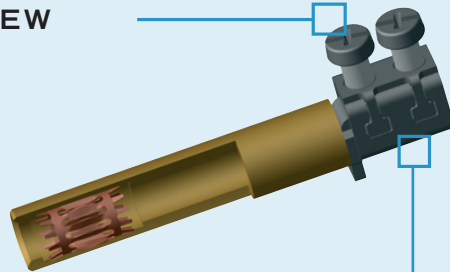


LAMELLAR SPRING

- Good contact with at least 10 contact points
- Self-cleaning
- Low insertion and removal forces
- Low electrical resistance

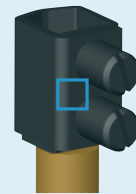
CONTACT SCREW

- Combi slot size 2
- Metric
- Brass screws



CONTACT FRAME

- Large open connecting area
- Reliable clamping of the conductor
- Flexible cables without end sleeve



GRUB SCREW ON 125A

Saves time

Simple insertion of the cable in less time

Strain relief and sealing of the cable by tightening the cable-lock-gland

Self-adjusting gasket for different cable diameters

for 63A from \varnothing 14,5mm to \varnothing 36mm

for 125A from \varnothing 22,5mm to \varnothing 50mm

Maximum cable security

LOCKING SCREW

- Prevents undesirable loosening

STRAIN-RELIEF CLAW

- Can withstand high loads

TRAPEZOIDAL THREAD

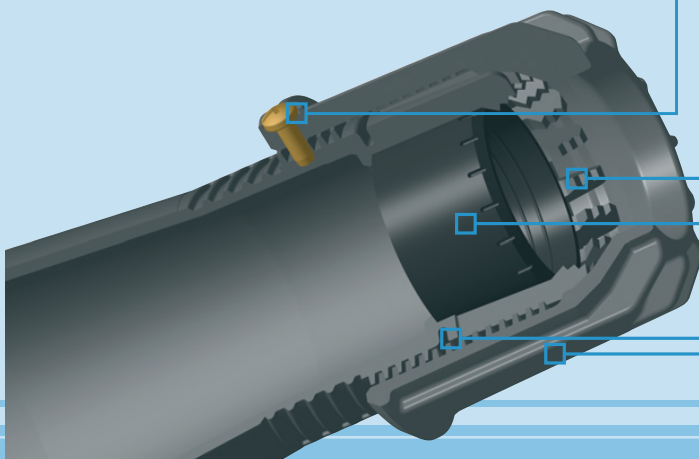
- Can withstand high loads

GASKET

- Protection degree IP66 /IP67

CAP NUT

- Optimal housing shaped for a firm grip



POWER TWIST

63A/125A

ARTICLE NUMBERS

PLUG

Ampere	Poles	Pack. unit	110V~ 50/60Hz 4h	230V~ 50/60Hz 3p=6h 4p+5p=9h	400V~ 50/60Hz 3p=9h 4p+5p=6h	500V~ 50/60Hz 7h	>50V- 500V~ 100-300Hz 10h	>50V- 500V~ 301-500Hz 2h
63	3	2	033-4	033-6	033-9	033-7	033-10	033-2
63	4	2	034-4	034-9	034-6	034-7	034-10	034-2
63	5	2	035-4	035-9	035-6	035-7	035-10	035-2
125	3	2	043-4	043-6	043-9	043-7	043-10	043-2
125	4	2	044-4	044-9	044-6	044-7	044-10	044-2
125	5	2	045-4	045-9	045-6	045-7	045-10	045-2

CONNECTOR

Ampere	Poles	Pack. unit	110V~ 50/60Hz 4h	230V~ 50/60Hz 3p=6h 4p+5p=9h	400V~ 50/60Hz 3p=9h 4p+5p=6h	500V~ 50/60Hz 7h	>50V- 500V~ 100-300Hz 10h	>50V- 500V~ 301-500Hz 2h
63	3	2	233-4	233-6	233-9	233-7	233-10	233-2
63	4	2	234-4	234-9	234-6	234-7	234-10	234-2
63	5	2	235-4	235-9	235-6	235-7	235-10	235-2
125	3	2	243-4	243-6	243-9	243-7	243-10	243-2
125	4	2	244-4	244-9	244-6	244-7	244-10	244-2
125	5	2	245-4	245-9	245-6	245-7	245-10	245-2

PC ELECTRIC Ges.m.b.H.

A-4973 St. Martin/Innkreis, Diesseits 145, Tel. +43 / 7751 / 61220, Fax +43 / 7751 / 6969
www.pcelectric.at, office@pcelectric.at